

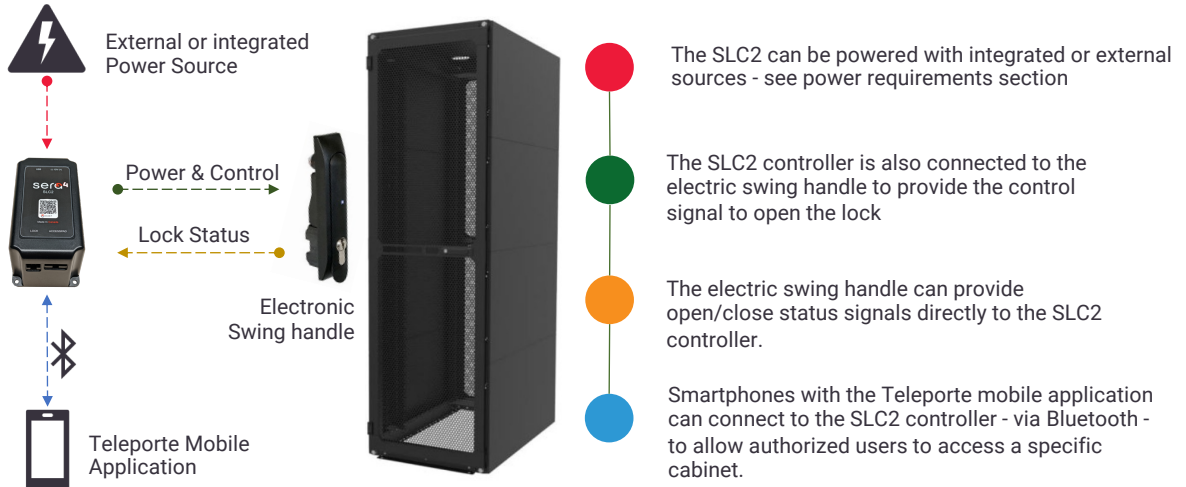
Network/Server cabinets

Southco Electronic Swing Handle - H3-EM-60-100



Components

Access to data center cabinets can be digitized with the Teleporte keyless technology by connecting third-party electric swing handles – such as Southco’s H3-EM-60-100 - with the SLC2 lock controller.



Power Requirements

There are three options to power the controller:

- Option 1 [Integrated]: 6 AA lithium batteries
- Option 2 [USB C port] : 5VDC / 3A
- Option 3 [push-wire connector] : 12VDC / 1A
- An AC to DC converter may be required if there is only AC power available.
- AC to USB adapters can also be used to power the controller.
- Electric lock cannot draw more than 1A

Installation

There are two options to mount the SLC2:

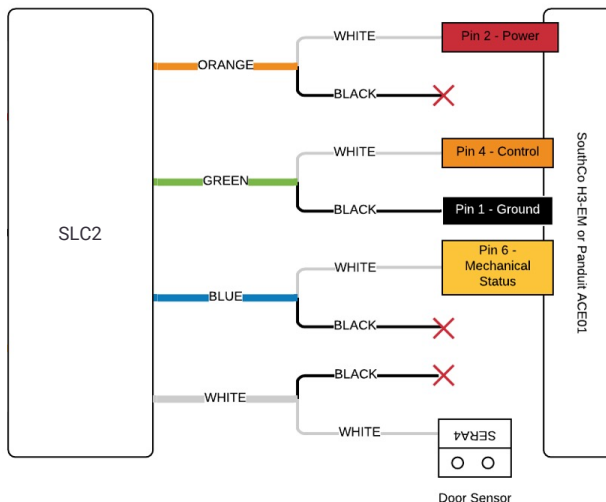
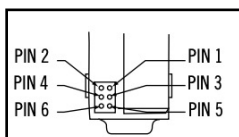
- Using four M3 screws with a head no larger than 8mm (5/16)
- Using a standard 35mm (1-3/8") DIN-rail via the DIN-rail flex connector.
- Refer to the installation manual in the [support portal](#) for more details or email us at support@sera4.com.
- Installation information for the Southco’s swing handle H3-EM-60-100 can be found [here](#).

Wiring

The cable harness that comes with the SLC2 controller has four color coded cable jackets, each of them with two inner wires. The diagram below uses this color coding to show the wiring configuration between the controller and the Southco’s swing handle lock (H3-EM-60-100)

Warning: always validate the lock’s pin and wire colors before connection - some manufacturers may change the wire colors or pinouts

H3-EM Pinout



Door Sensor