

AccessPad

Accessory for Sera4 Lock Controllers



AccessPad

The AccessPad is an accessory that extends the features of a Sera4 lock controller to monitor the status of the controller, enter a Fail-Safe Unlock access code without a mobile device, or to connect a 9V battery for emergency backup power.



Button Modes

- Awake/Status: Press once
- Fail-Safe Unlock: Press and hold for 3 seconds

LED in Controller Status Mode

- Locked (Slow heartbeat)
- Unlocked (Fast heartbeat)
- Bluetooth Connected (Solid)

1. Prepare Installation

1.A Disconnect the power inputs from the controller.

1.B Identify a flat surface where the AccessPad will be installed.

1.C Verify that the cables from the controller are long enough to reach the AccessPad.

If you need to extend these cables, we recommend using a 22AWG-10/30 stranded wire. Maximum distance is 10 meters.

To splice the wires we also recommend using a heat shrink and soldering iron as shown in this tutorial:

<https://learn.sparkfun.com/tutorials/working-with-wire/how-to-splice-wires>

2. Connectors and Wires

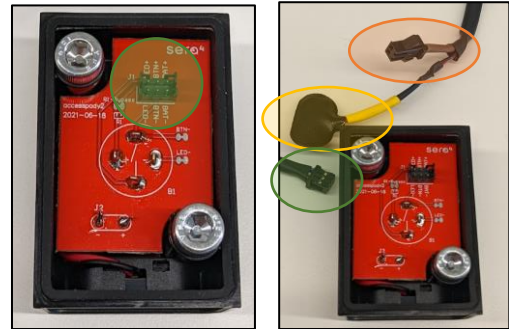
Connection between the controller and the AccessPad is facilitated by a 300mm (12") cable that must be matched to the type of Sera4 controller at time of ordering.

For reference:

- the female connector (DF11-6DS-2C by Hirose Electric Co) mates with the 6-pin connector on the rear of the AccessPad.



4. Connect AccessPad



AccessPad

Connect the 6-pin female connector to the 6-pin male connector on the AccessPad (J1)

X-Series Controller

Connect the yellow cable (9V PP3) connector to the X-Series' yellow cable and the X-Series' brown cable (JST-SM) connector to the AccessPad's brown cable.

SLC2 Controller

The cable for SLC2 controller is a 5-pin connector. Insert this directly into the bottom port of the SLC2.

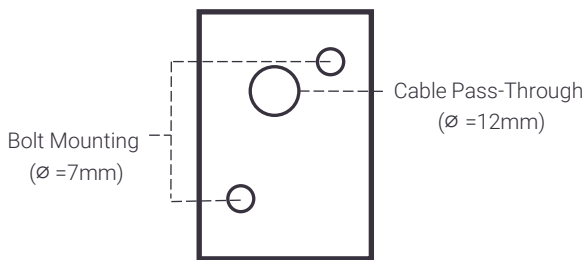


3. Mount AccessPad

3.A Print and use the template in the next page to drill the three mounting holes on the surface where the AccessPad will be installed.

3.B Pass the cables coming from the AccessPad, through the 12mm hole.

3.C Use the supplied screws (M6 x 1.0) to secure the AccessPad to the surface, with the two 7mm holes. – **DO NOT OVERTIGHTEN.**



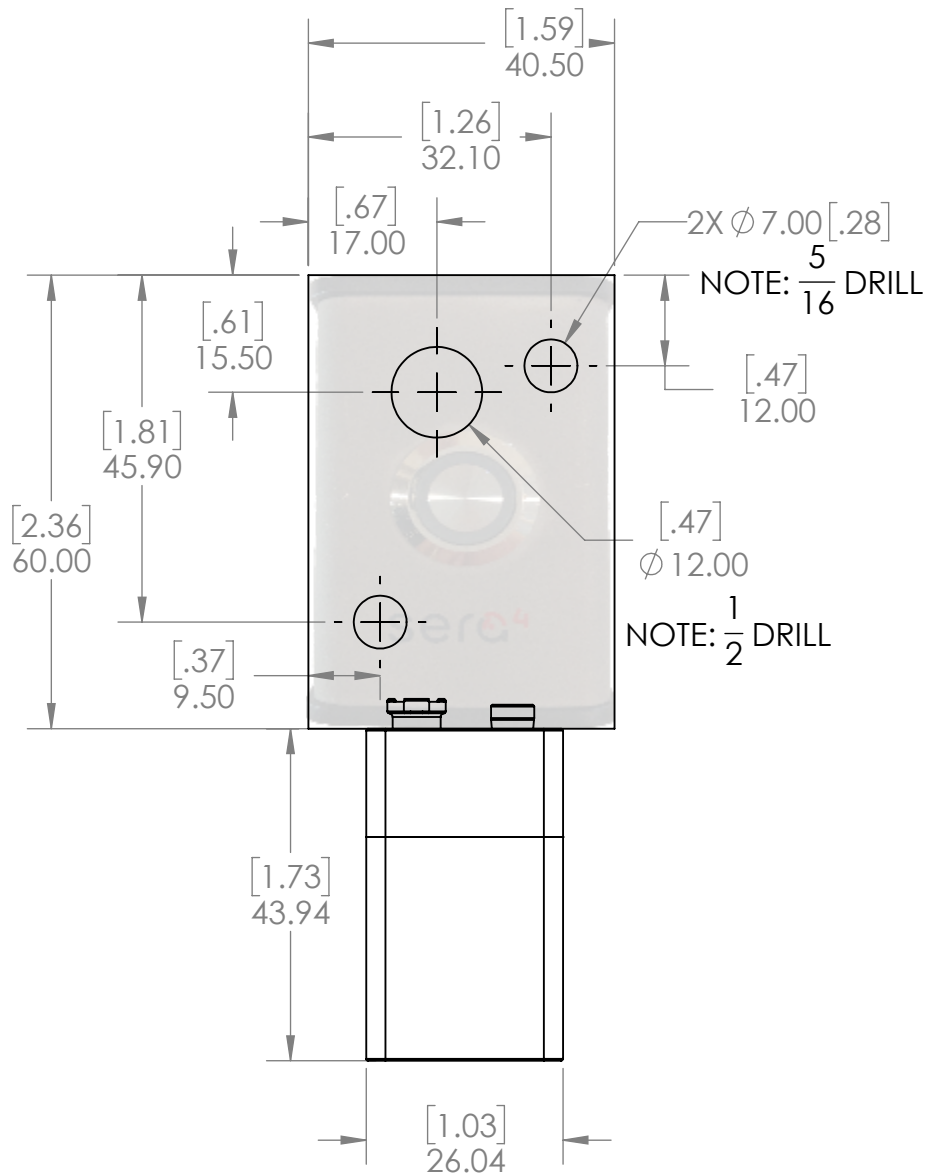
See attachment for a printable version of drilling points

2

1

B

B



A

A

UNLESS OTHERWISE SPECIFIED:				NAME		DATE		SERA4	
DIMENSIONS ARE IN MILLIMETERS [INCHES]	DRAWN	John	15 Jun 2021					TITLE:	
	CHECKED	Konrad						ACCESS PAD DRILL TEMPLATE	
	ENG APPR.	Konrad							
	MFG APPR.								
	Q.A.								
				COMMENTS:					
DO NOT SCALE DRAWING									
SIZE		DWG. NO.		REV.		SCALE:1:1		WEIGHT:	
A		1		A		SHEET 1 OF 1			

PROPRIETARY AND CONFIDENTIAL
THE INFORMATION CONTAINED IN
THIS DRAWING IS THE SOLE
PROPERTY OF <COMPANY NAME>.
ANY REPRODUCTION IN PART OR AS
A WHOLE WITHOUT THE WRITTEN
PERMISSION OF <COMPANY NAME>
IS PROHIBITED.

2

1